

# SS2000+ Encoder

## Features

- Streaming .wav files for voice, music and text-to-speech
- Ethernet for network-based control
- 20 remote activation inputs
- Compatible with two-tone EAS and DTMF, AFSK encoding
- 24 hot command function keys
- Communications diagnostics
- Built-in speaker and microphone jack
- Desk and 19" rack mount versions available



The SS2000+ is Federal Signal's most advanced stand-alone control unit yet. Monitor and control the unit over your network - the SS2000+ includes 20 inputs for remote activation (expandable to 40 with one SS-REMOTE, 60 with two). Integrate multiple activation points. Stream .wav files from your PC for voice, music and text-to-speech. Control new and legacy systems using DTMF, EAS, two-tone and AFSK encoding. Program hotkeys for quick activation functions in various scenarios. The SS2000+ offers these capabilities in a simple, easy-to-use package for your desktop or 19" rack.

For the most advanced systems, the SS2000+ can be connected to a PC running Federal Signal's Commander software. Commander and the SS2000+ can work together to monitor and control your system, with the SS2000+ providing full redundancy in the event that your PC is offline. The SS2000+ can be configured using SSLOADER+, a simple Windows®-based program from Federal Signal.



**FEDERAL SIGNAL**  
Safety and Security Systems

*Advancing security and well being.*

# SS2000+ Encoder

## Specifications

### Electrical

Line Input	120 VAC wall transformer power supply
Battery Input	11.5 - 20 VDC (over voltage and reverse voltage protection)
Power Supply Input Voltage	12-30 VDC (12 VDC typical)
Input Current	300mA (Standby 700mA max.)
Distortion	< 3.0%
Ethernet	RJ-45 port, TCP/IP

### Environmental

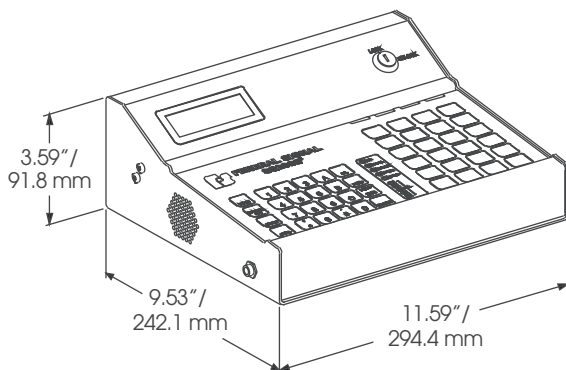
Operating Temperature:	0° to 60°C
------------------------	------------

### Encode/Decode Format

DTMF Format	3-20 standard DTMF characters
DTMF Timing	35/5 to 1000/1000 (digit duration/inter digit silence)
MSK	1200 BAUD MSK (Minimum Shift Key) digital format
Carrier Detect	Active High 4.5 - 14 VDC Active Low 0 - 3.0 VDC
VOX	-35 dbm to 0 dbm
Parallel Port	IBM® compatible printer port
Serial Port Protocol	RS232 9600 BAUD, N,8,1 (Xmodem Standard)

### Speaker

Power	1 Watt
Impedance	8 Ohms



### Microphone

Input Level	10mV - 150mV p-p
Input Impedance	10k Ohms
Input Jack	XLR Male
Type	Dynamic

### Audio Interface

Audio Output	Balanced 600 Ohms, -55 dbm to 0 dbm
Audio Input	Balanced 600 Ohms, -35 dbm to 0 dbm
Decode Sensitivity	< 8-10 dB(C) S/N or 12 dB(C) SINAD
Relay Outputs	2A at 30VDC 0.5 at 120VAC

### Select Model

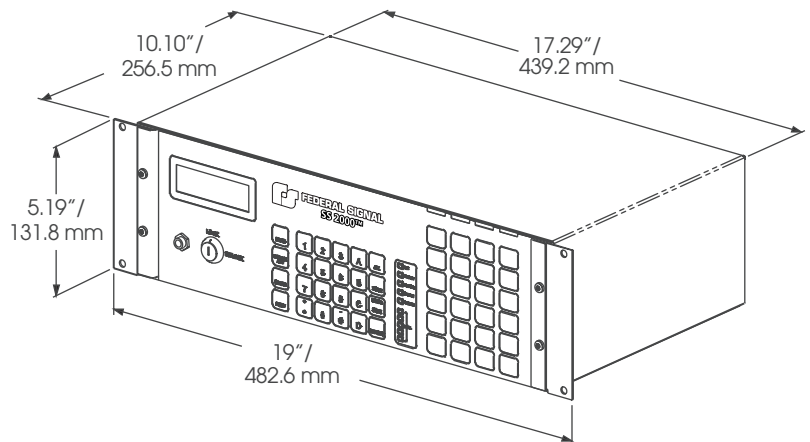
SS2000+	Digital, DTMF encoder, desk mount
SS2000+R	Digital, DTMF encoder, 19" rack mount
SSP	Printer and cable
MNC-XLR	Gooseneck microphone and desk base
SS-REMOTE	Optional activation via additional contact closure (20 additional with one SS-REMOTE, 40 additional with two)

### Configuration Software

SSLOADER+ operating system Windows® 98, 2000, XP Compatible

### Shipping Weight

Desk Mount	6 lbs. (3 kg)
Rack Mount	8 lbs. (4 kg)



**FEDERAL SIGNAL**  
Safety and Security Systems  
*Advancing security and well being.*

